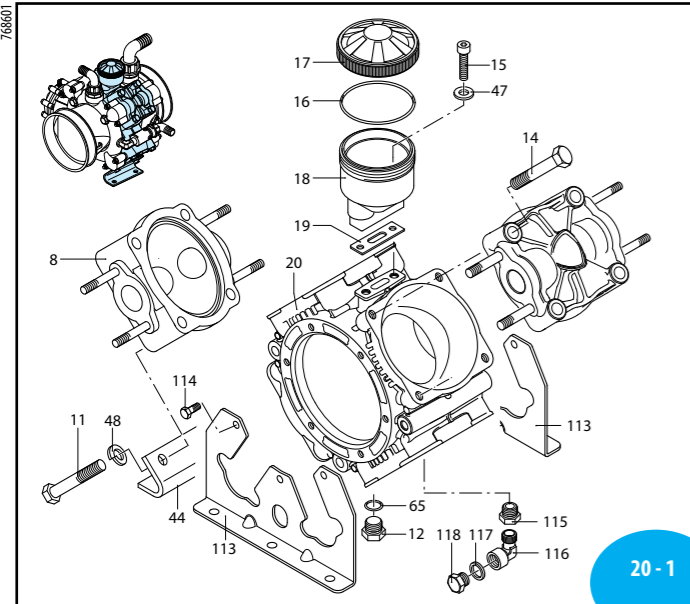


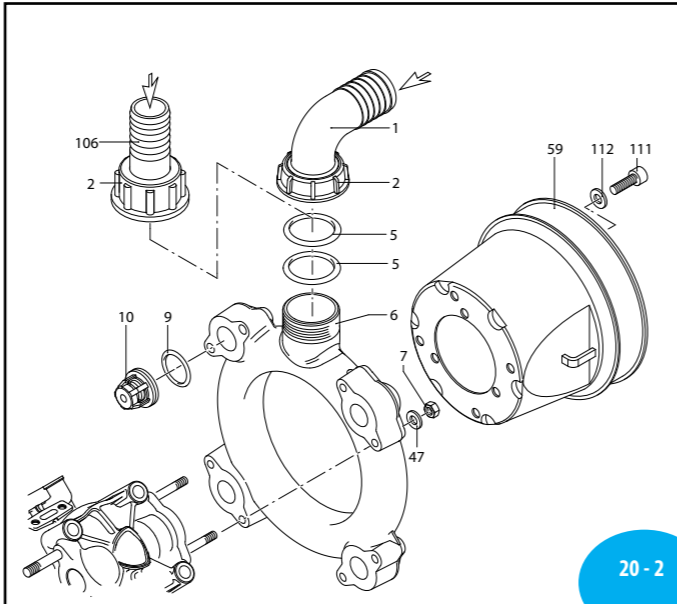
# ANNOVIRIVERBERI

## AR 160 LFP - AR 185 LFP

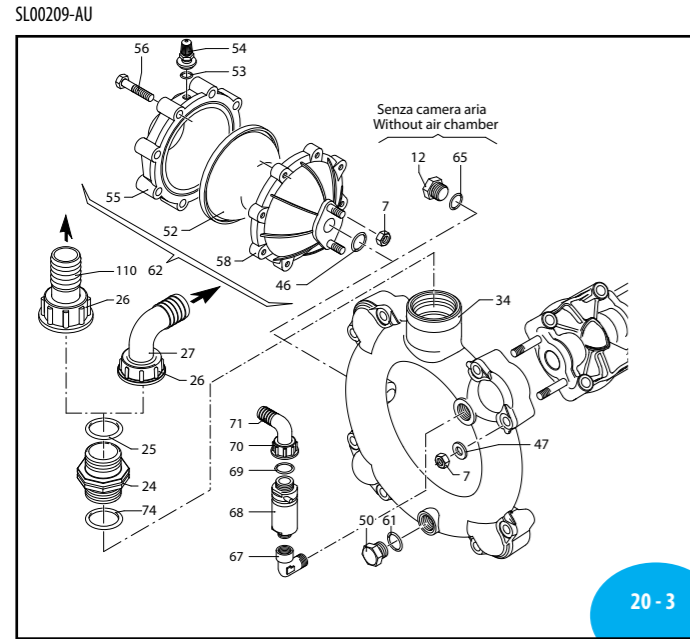
## AR 160 LFP - AR 185 LFP



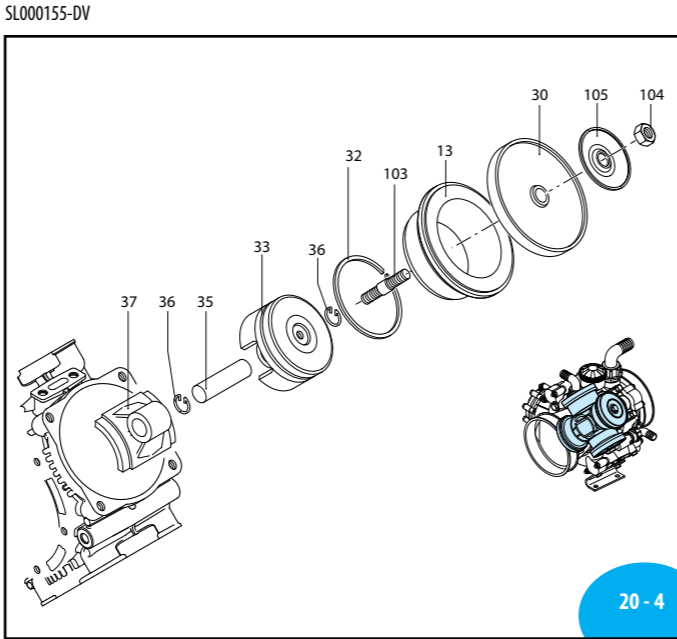
20 - 1



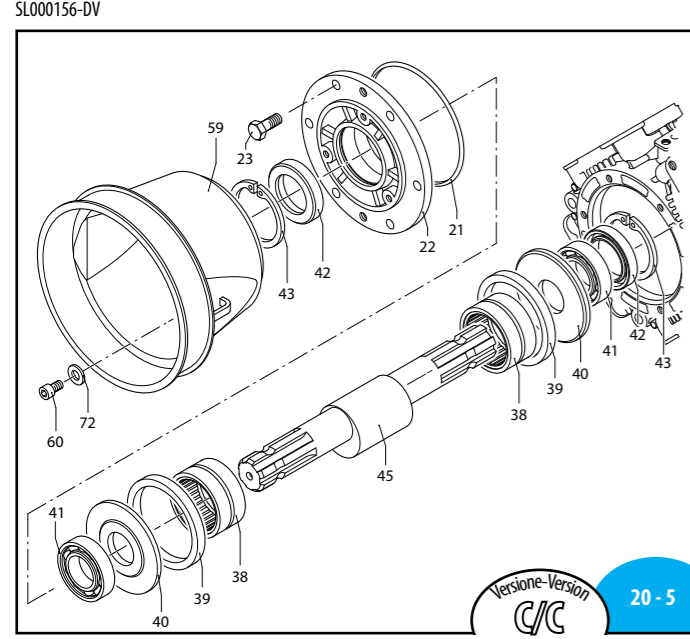
20 - 2



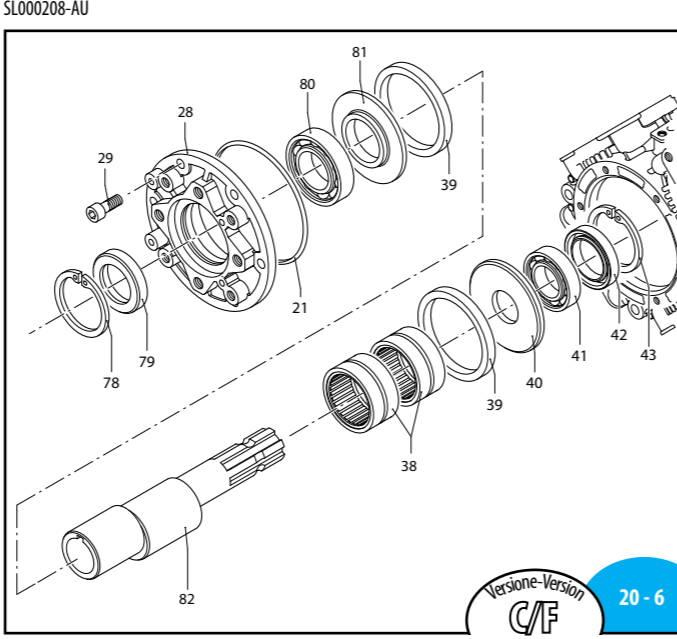
20 - 3



20 - 4



20 - 5



20 - 6

Pos. 序号	Cod. 编号	Description 描述	Q.ty 数量	Note 备注
1	3040430	Elbow Ø 40	1	AR 160 bp
	3040440	Elbow Ø 50	1	AR 185 bp
2	3040450	Ring nut 2" G	1	
5	3040470	O-ring Ø 39,3x2,6	2	☒
6	760750	Line aspirazione	1	
7	380242	Nut M8	18	Geomet C <sub>20</sub>
	380244	Nut M8	18	Inox C <sub>20</sub>
8	751350	Head plastificata	4	
	751352	Head plastificata	4	
9	680070	O-ring Ø 31,5x4,25	8	☒
10	759051	Valve 单向阀	8	
11	750071	Screw TE M12x70	4	Geomet C <sub>50</sub>
	750072	Screw TE M12x70	4	Inox C <sub>50</sub>
12	880530	Plug 3/8" G	2	☒ C <sub>20</sub>
	2340350	Plug 3/8" G	2	Inox C <sub>20</sub>
13	750110	Sleeve 套筒	4	AR 160 bp
	750115	Sleeve 套筒	4	AR 185 bp
14	750061	Screw TE M12x65	12	Geomet C <sub>50</sub>
	750062	Screw TE M12x65	12	Inox C <sub>50</sub>
15	680350	Screw TCEI M8x35	2	C <sub>10</sub>
16	1040060	O-ring Ø 72,69x2,62	1	
17	750057	Plug nero	1	AR 160 bp
	750052	Plug rosso	1	AR 185 bp
18	750030	Tank 油罐	1	
19	750040	Gasket 垫圈	1	☒
20	761010	Pump body 泵体	1	
21	851360	O-ring Ø 120,32x2,62	1	☒
22	680020	Support 支撑座	1	☒
23	160672	Screw TE M10x25	6	Geomet C <sub>40</sub> ☒
	160673	Screw TE M10x25	6	Inox C <sub>40</sub> ☒
24	751130	Fitting 1" 1/2 G-M	1	
25	390290	O-ring Ø 29x3	1	☒
26	750670	Ring nut 1" 1/2 G	1	
27	760930	Elbow Ø 25	1	AR 160 bp
	3040160	Elbow Ø 35	1	AR 185 bp
28	2420181	Support 支撑座	1	☒
29	650640	Screw TCEI M10x25	6	Geomet C <sub>40</sub>
	650642	Screw TCEI M10x25	6	Inox C <sub>40</sub>
30	550080	Diaphragm 隔膜	4	NBR
	550084	Diaphragm 隔膜	4	Viton
	550085	Diaphragm 隔膜	4	Desmopan
	550086	Diaphragm 隔膜	4	HPDS
32	500260	Piston ring 柱塞环	4	
33	750122	Piston Ø 80	4	
34	760760	Line mandata	1	
35	160700	Pin 插针	4	☒
36	160691	Ring seeger Ø 18	8	
37	760140	Connecting-rod 连杆	4	
38	750090	Bearing 轴承	2	
39	750130	Ring biella	2	☒
40	540040	Plate 弹簧片	2	
41	230350	Bearing 轴承	2	↓
42	160740	Ring tenuta	2	☒
43	200390	Ring seeger Ø 62	2	☒
44	760201	Foot 支架	2	
45	750170	Shaft C/C m-AU	1	AR 160 bp
	750174	Shaft C/C m-AV	1	AR 185 bp
46	390290	O-ring Ø 29x3	1	☒

Pos. 序号	Cod. 编号	Description 描述	Q.ty 数量	Note 备注
47	380243	Washer 垫圈	18	Geomet
	390315	Washer 垫圈	18	Inox
	250143	Washer 垫圈	4	Geomet
	250144	Washer 垫圈	4	Inox
48	330173	Plug 1/2" G	1	Geomet C <sub>20</sub>
	330174	Plug 1/2" G	1	Inox C <sub>20</sub>
50	550190	Semi air chamber 半气室	1	NBR
	550191	Semi air chamber 半气室	1	Saturflon
	550192	Semi air chamber 半气室	1	Viton
	550193	Semi air chamber 半气室	1	HPDS
53	650542	Gasket 垫片	1	
54	180020	Air valve 空气阀	1	C <sub>3</sub>
	620232	Semi air chamber superiore 半气室	1	Nera
56	621781	Screw TE M8x40	8	Geomet C <sub>20</sub>
	621782	Screw TE M8x40	8	Inox C <sub>20</sub>
58	680180	Halfball 半球	1	
59	1500470	Cardan protection 万向防护罩	2	
60	850251	Screw TCEI M8x12	3	Geomet C <sub>20</sub>
	850252	Screw TCEI M8x12	3	Inox C <sub>20</sub>
61	180101	O-ring 0型圈	1	
62	1552	Air chamber completa 气室	1	
65	740290	O-ring Ø 14x1,78	2	
67	881560	Fitting 1/2" G M-F	1	☒
68	1609000	Safety valve 安全阀	1	☒
69	880831	O-ring Ø 15,54x2,62	1	Viton
70	550450	Ring nut 3/4" G	1	
71	550460	Elbow Ø 18	1	
72	390314	Washer 垫圈	3	Geomet
	390315	Washer 垫圈	3	Inox
74	751140	O-ring Ø 47,22x3,53	1	☒
78	620330	Ring seeger Ø 65	1	
79	1800090	Ring tenuta	1	☒
80	230310	Bearing 轴承	1	↓
81	760510	Plate 弹簧片	1	
82	760450	Shaft C/F Ø 25 m-BX	1	AR 160 bp
	760520	Shaft C/F Ø 32 m-B5	1	AR 160 bp
	760460	Shaft C/F Ø 25 m-BZ	1	AR 185 bp
	760530	Shaft C/F Ø 32 m-BT	1	AR 185 bp
103	2240100	Hub pin 轮毂插销	4	☒ C <sub>35</sub>
104	2240110	Nut 螺母	4	Inox C <sub>30</sub>
105	751250	Wobble plate 活动弹簧片	4	
106	760950	Hose tail Ø 40	1	AR 160 bp
	760570	Hose tail Ø 50	1	AR 185 bp
110	760920	Hose tail Ø 25	1	AR 160 bp
	760940	Hose tail Ø 35	1	AR 185 bp
111	820673	Screw TCEI M10x16	3	Geomet
	820672	Screw TCEI M10x16	3	Inox
112	320621	Washer 垫圈	3	Geomet
	320622	Washer 垫圈	3	Inox
113	761030	Foot 支架	2	
114	160672	Screw TE M10x25	6	Geomet C <sub>20</sub>
	160673	Screw TE M10x25	6	Inox C <sub>20</sub>
115	1040491	Fitting 3/8" M-F	1	☒
116	900210	Fitting 3/8" G M-F	1	☒
117	2260200	Washer 垫圈	1	
118	2281270	Plug 3/8" G	1	C <sub>20</sub>



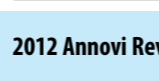
**KIT 2371**  
Buna diaphragms  
丁纳橡胶隔膜

Pos. 序号	Q.ty 数量
9	8
10	8

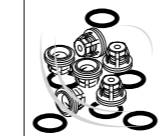


**KIT 2372**  
HPDS diaphragms  
HPDS 隔膜

Pos. 序号	Q.ty 数量
30	4

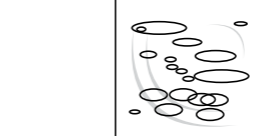


**KIT 2373**  
Desmopan diaphragms  
德国拜耳隔膜



**KIT 2374**  
Valves  
单向阀

Pos. 序号	Q.ty 数量
9	8
10	8



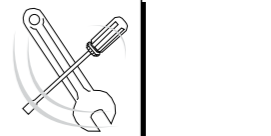
**KIT 42510**  
O-Rings  
O型圈

Pos. 序号	Q.ty 数量	Pos. 序号	Q.ty 数量
5	2	69	1
9	8	74	1
16	1		
21	1		
25	1		
46	1		
53	1		
61	1		
65	2		



**KIT 42511 - AR 160 bp**  
**KIT 42512 - AR 185 bp**  
Maintenance repair  
维修工具

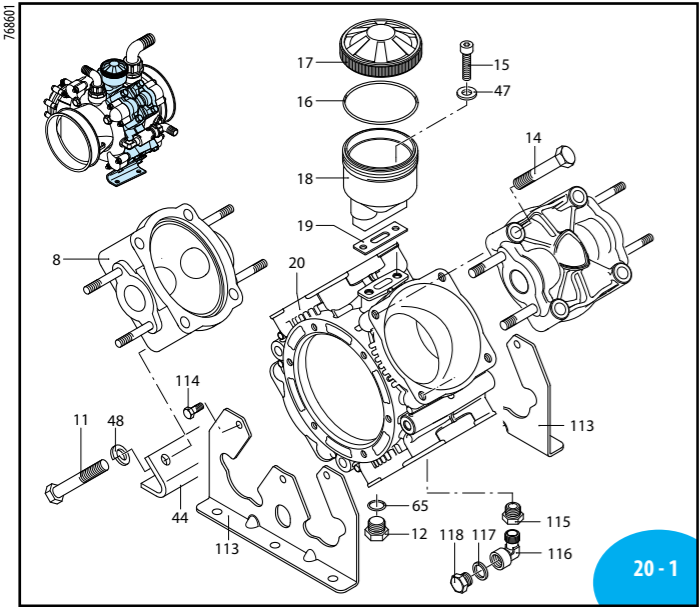
Pos. 序号	Q.ty 数量	Pos. 序号	Q.ty 数量	Pos. 序号	Q.ty 数量
1	1	21	1	61	1
2	1	24	1	65	2
5	2	25	1	69	1
9	8	26	1	74	1
10	8	27	1	103	4
16	1	30	4	104	4
17	1	42	2	105	4
18	1	46	1		
19	1	52	1		



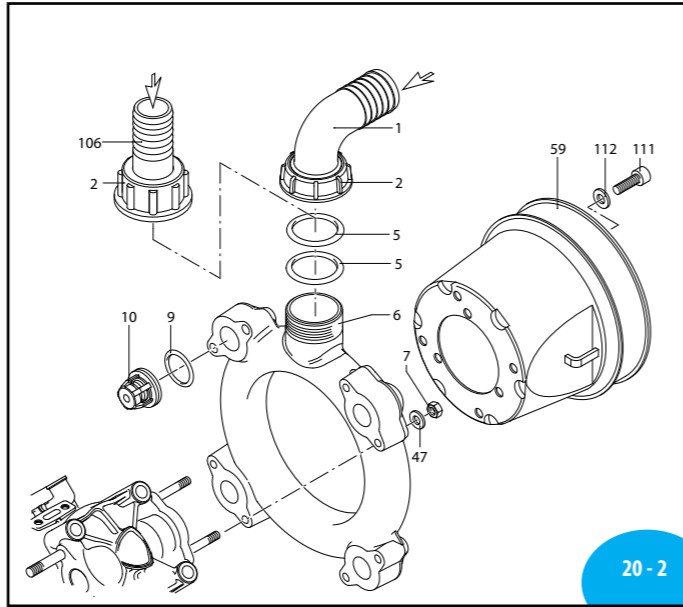
Used oil  
使用机油

Type / 类型	Kg
SAE 30	1,4

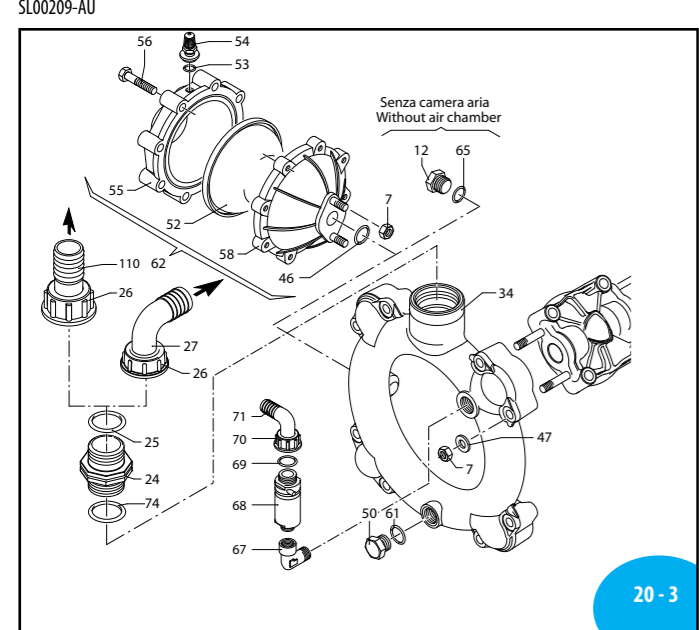
Nome test.: CL 047806



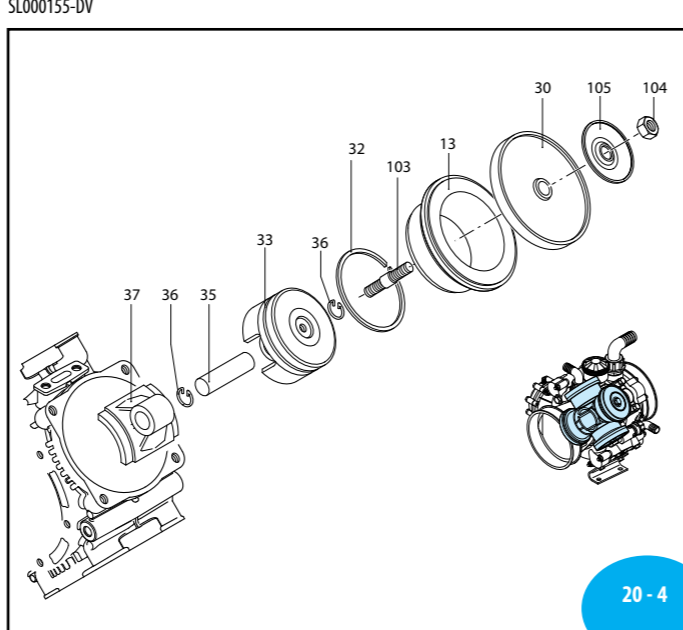
20 - 1



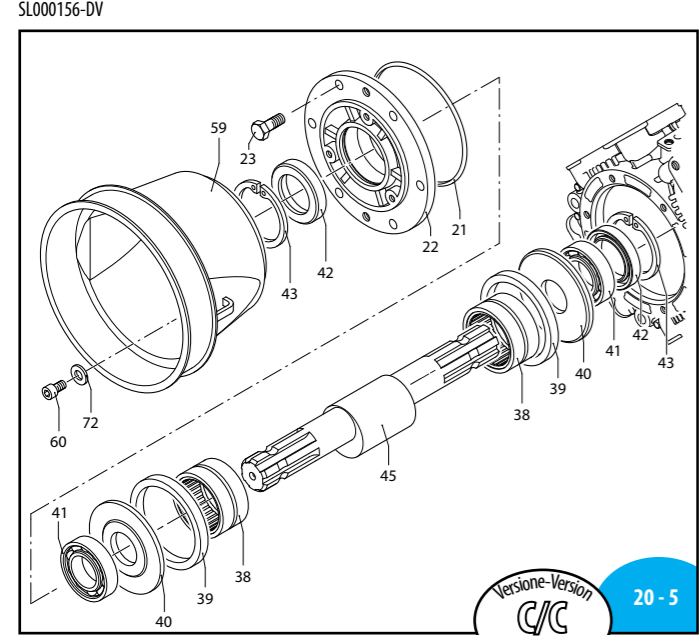
20 - 2



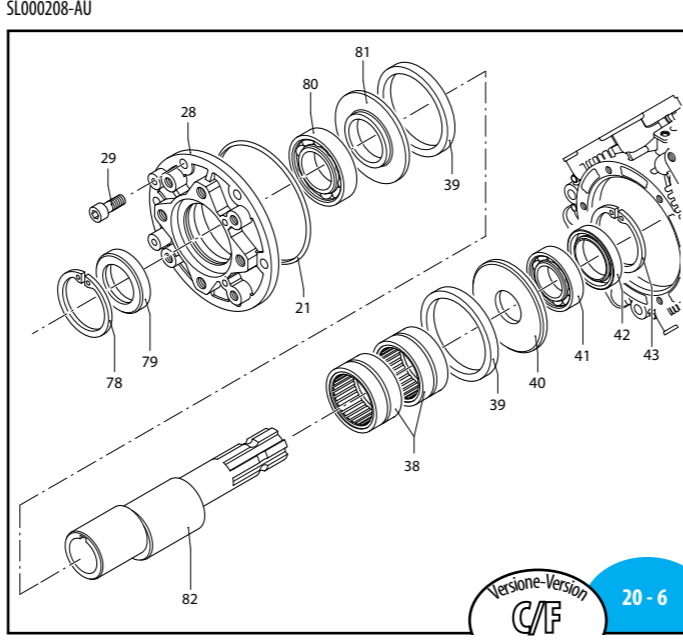
20 - 3



20 - 4



20 - 5



20 - 6

Pos.	Cod.	Descrizione	Description	Q.ty	Note
1	3040430	Curva	Ø 40	1	AR 160 bp
2	3040440	Curva	Ø 50	1	AR 185 bp
3	3040450	Girello	2" G	1	
5	3040470	Guarnizione OR	Ø 39,3x2,6	2	☒
6	760750	Condotto	aspirazione	1	
7	380242	Dado	M8	18	Geomet C <sub>20</sub>
8	380244	Dado	M8	18	Inox C <sub>20</sub>
8	751350	Testa	plastificata	4	
9	751352	Testa	plastificata	4	
9	680070	Guarnizione OR	Ø 31,5x4,25	8	☒
10	759051	Valvola		8	
11	750071	Vite	TE M12x70	4	Geomet C <sub>50</sub>
11	750072	Vite	TE M12x70	4	Inox C <sub>50</sub>
12	880530	Tappo	3/8" G	2	☒ C <sub>20</sub>
12	2340350	Tappo	3/8" G	2	Inox C <sub>20</sub>
13	750110	Camicia		4	AR 160 bp
13	750115	Camicia		4	AR 185 bp
14	750061	Vite	TE M12x65	12	Geomet C <sub>50</sub>
14	750062	Vite	TE M12x65	12	Inox C <sub>50</sub>
15	680350	Vite	TCEI M8x35	2	C <sub>10</sub>
16	1040060	Guarnizione OR	Ø 72,69x2,62	1	
17	750057	Tappo	nero	1	AR 160 bp
17	750052	Tappo	rosso	1	AR 185 bp
18	750030	Serbatoio		1	
19	750040	Guarnizione		1	☒
20	761010	Corpo pompa		1	
21	851360	Guarnizione OR	Ø 120,32x2,62	1	☒
22	680020	Supporto		1	☒
23	160672	Vite	TE M10x25	6	Geomet C <sub>40</sub> ☒
23	160673	Vite	TE M10x25	6	Inox C <sub>40</sub> ☒
24	751130	Raccordo	1" 1/2 G M-M	1	
25	390290	Guarnizione OR	Ø 29x3	1	☒
26	750670	Girello	1" 1/2 G	1	
27	760930	Curva	Ø 25	1	AR 160 bp
27	3040160	Curva	Ø 35	1	AR 185 bp
28	2420181	Supporto		1	☒
29	650640	Vite	TCEI M10x25	6	Geomet C <sub>40</sub>
29	650642	Vite	TCEI M10x25	6	Inox C <sub>40</sub>
30	550080	Membrana		4	NBR
30	550084	Membrana		4	Viton
30	550085	Membrana		4	Desmopan
30	550086	Membrana		4	HPDS
32	500260	Segmento		4	
33	750122	Pistone	Ø 80	4	
34	760760	Condotto	mandata	1	
35	160700	Spina		4	☒
36	160691	Anello	seeger Øi 18	8	
37	760140	Biella		4	
38	750090	Cuscinetto		2	
39	750130	Anello	biella	2	☒
40	540040	Piastra		2	
41	230350	Cuscinetto		2	↓
42	160740	Anello	tenuta	2	☒
43	200390	Anello	seeger Øi 62	2	
44	760201	Piede		2	
45	750170	Albero	C/C m-AU	1	AR 160 bp
45	750174	Albero	C/C m-AV	1	AR 185 bp
46	390290	Guarnizione OR	Ø 29x3	1	☒

Pos.	Cod.	Descrizione	Description	Q.ty	Note
47	380243	Rondella		18	Geomet
47	390315	Rondella		18	Inox
48	250143	Rondella		4	Geomet
48	250144	Rondella		4	Inox
50	330173	Tappo	1/2" G	1	Geomet C <sub>20</sub>
50	330174	Tappo	1/2" G	1	Inox C <sub>20</sub>
52	550190	Semicamera aria		1	NBR
52	550191	Semicamera aria		1	Saturflon
52	550192	Semicamera aria		1	Viton
52	550193	Semicamera aria		1	HPDS
53	650542	Guarnizione		1	
54	180020	Valvola di gonfiaggio		1	C <sub>3</sub>
55	620232	Semicamera aria superiore		1	Nera
56	621781	Vite	TE M8x40	8	Geomet C <sub>20</sub>
56	621782	Vite	TE M8x40	8	Inox C <sub>20</sub>
58	680180	Semisfera inferiore		1	
59	1500470	Protezione cardano		2	
60	850251	Vite	TCEI M8x12	3	Geomet C <sub>20</sub>
60	850252	Vite	TCEI M8x12	3	Inox C <sub>20</sub>
61	180101	Guarnizione OR	Ø 17,5x2	1	
62	1552	Camera aria completa		1	
65	740290	Guarnizione OR	Ø 14x1,78	2	
67	881560	Raccordo	1/2" G M-F	1	
68	1609000	Valvola di sicurezza		1	
69	880831	Guarnizione OR	Ø 15,54x2,62	1	
70	550450	Girello	3/4" G	1	Viton
71	550460	Curva	Ø 18	1	
72	390314	Rondella		3	Geomet
72	390315	Rondella		3	Inox
74	751140	Guarnizione OR	Ø 47,22x3,53	1	☒
78	620330	Anello seeger Øi 65		1	
79	1800090	Anello tenuta		1	☒
80	230310	Cuscinetto		1	↓
81	760510	Piastra		1	
82	760450	Albero	C/F Ø25 m-BX	1	AR 160 bp
82	760520	Albero	C/F Ø32 m-BS	1	AR 160 bp
82	760460	Albero	C/F Ø25 m-BZ	1	AR 185 bp
82	760530	Albero	C/F Ø32 m-BT	1	AR 185 bp
103	2240100	Perno		4	☒ C <sub>35</sub>
104	2240110	Dado	M10	4	Inox C <sub>30</sub>
105	751250	Piattello		4	
106	760950	Portagomma	Ø 40	1	AR 160 bp
106	760570	Portagomma	Ø 50	1	AR 185 bp
110	760920	Portagomma	Ø 25	1	AR 160 bp
110	760940	Portagomma	Ø 35	1	AR 185 bp
111	820673	Vite	TCEI M10x16	3	Geomet
111	820672	Vite	TCEI M10x16	3	Inox
112	320621	Rondella		3	Geomet
112	320622	Rondella	10.5x21x2	3	Inox
113	761030	Piede		2	
114	160672	Vite	TE M10x25	6	Geomet C <sub>20</sub>
114	160673	Vite	TE M10x25	6	Inox C <sub>20</sub>
115	1040491	Raccordo	3/8" M-F	1	☒
116	900210	Raccordo	3/8" G M-F	1	☒
117	2260200	Rondella		1	
118	2281270	Tappo	3/8" G	1	C <sub>20</sub>

Bassa Pressione  
Low Pressure



**KIT 2371**  
Membrane gomma  
Buna diaphragms

**KIT 2372**  
Membrane HPDS  
HPDS diaphragms

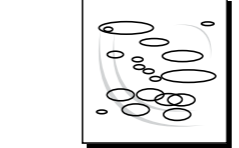
**KIT 2373**  
Membrane Desmopan  
Desmopan diaphragms

Pos.	Q.ty
30	4



**KIT 2374**  
Valvole  
Valves

Pos.	Q.ty
9	8
10	8



**KIT 42510**  
OR  
O-Rings

Pos.	Q.ty	Pos.	Q.ty
5	2	69	1
9	8	74	1
16	1		
21	1		
25	1		
46	1		
53	1		
61	1		
65	2		



**KIT 42511 - AR 160 bp**  
**KIT 42512 - AR 185 bp**  
Pronto intervento  
Maintenance repair

Pos.	Q.ty	Pos.	Q.ty	Pos.	Q.ty
1	1	21	1	61	1
2	1	24	1	65	2
5	2	25	1	69	1
9	8	26	1	74	1
10	8	27	1	103	4
16	1	30	4	104	4
17	1	42	2	105	4
18	1	46	1		
19	1	52	1		



**Olio utilizzato**  
Used oil

Tipo - Type	Kg
SAE 30	1,4